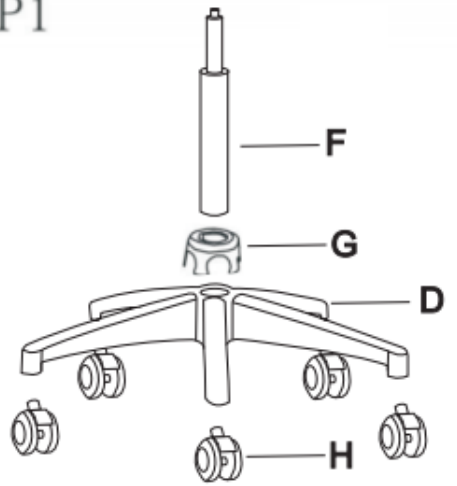
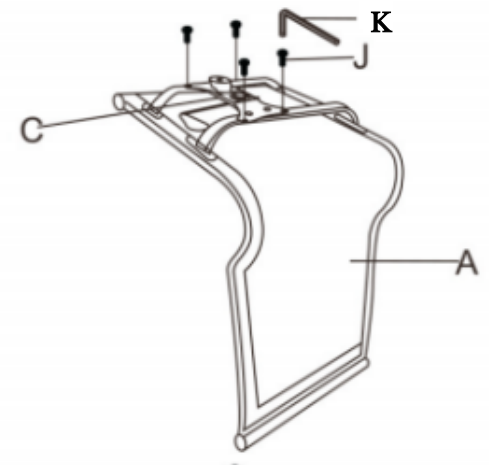


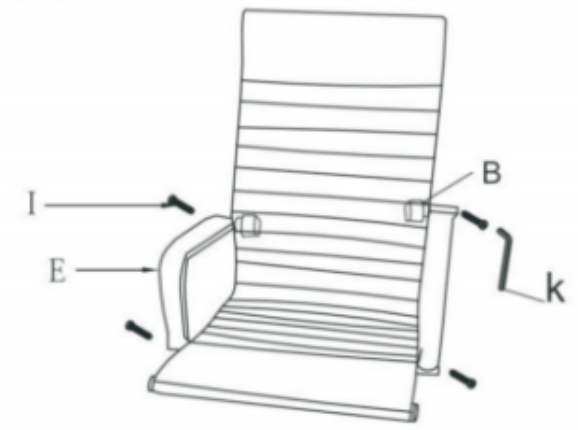
STEP1



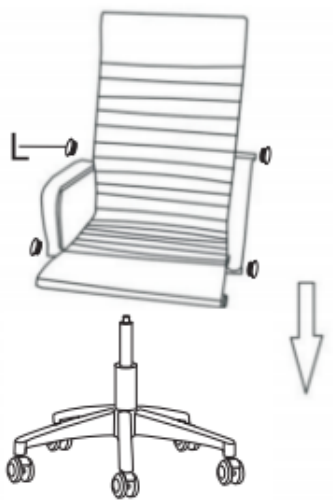
STEP2



STEP3



STEP4















STEP5



" I " is longer screw used for installing the arms, and " J " is shorter screw used for installing the tray

" B " is used below " I ", and " L " is used above " I ". First, place " B " below " I ", then put them into the arm holes, tighten " I " with " K ", and finally cover " I " with " L ".

- SEAT
- SCREW CAP
- TRAY
- FIVE CLAWS
- ARMS
- GAS LIFT
- BRIGHT COVER
- WHEELS
- SCREW
- SCREW
- SCREW TOOL
- BUTTON

A	B	C	D	E	F	G	H	I	J	K	L				
															
X1	X4	X1	X1	X2	X1	X1	X5	8x40 X4	6x20 X4	X1	X4				

