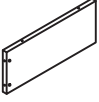
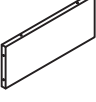
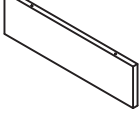
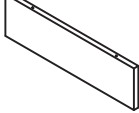
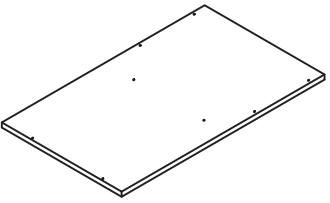
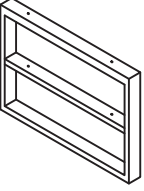
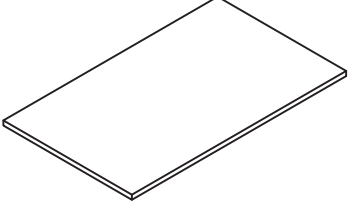
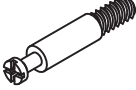

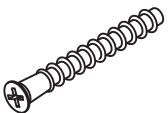

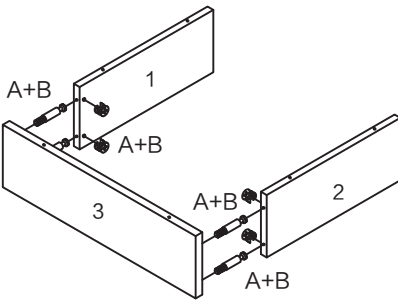


230-000107

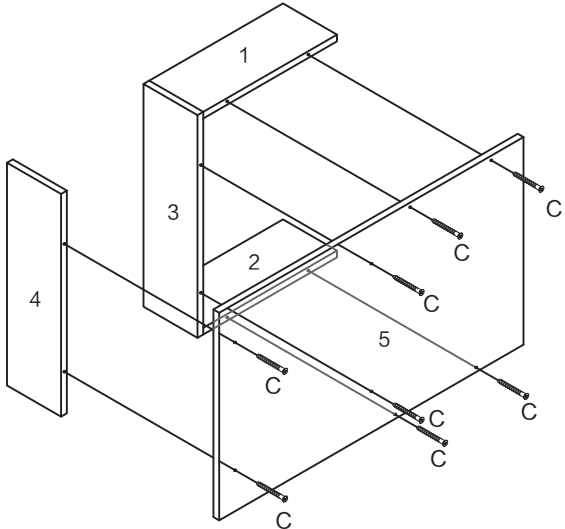
<p>1</p>  <p>X1</p>	<p>2</p>  <p>X1</p>	<p>3</p>  <p>X1</p>	<p>4</p>  <p>X1</p>
<p>5</p>  <p>X1</p>	<p>6</p>  <p>X2</p>	<p>7</p>  <p>X1</p>	<p>A</p>  <p>X12</p>
<p>B</p>  <p>X12</p>	<p>C (6.3X50)</p>  <p>X8</p>	<p>D (6X30)</p>  <p>X8</p>	

Step 1



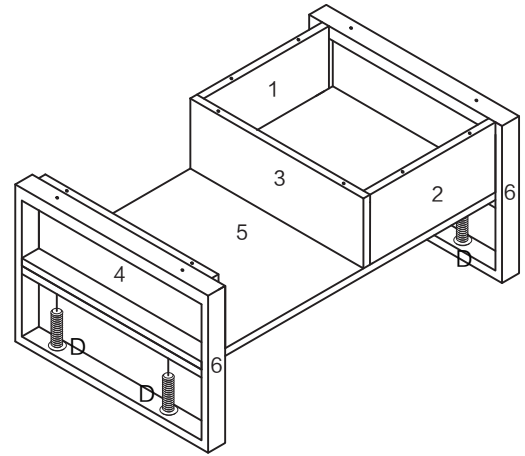
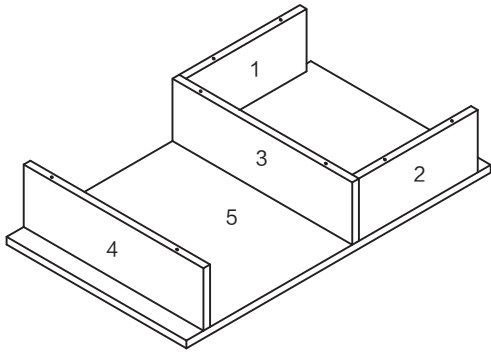
A	x4
B	x4

Step 2



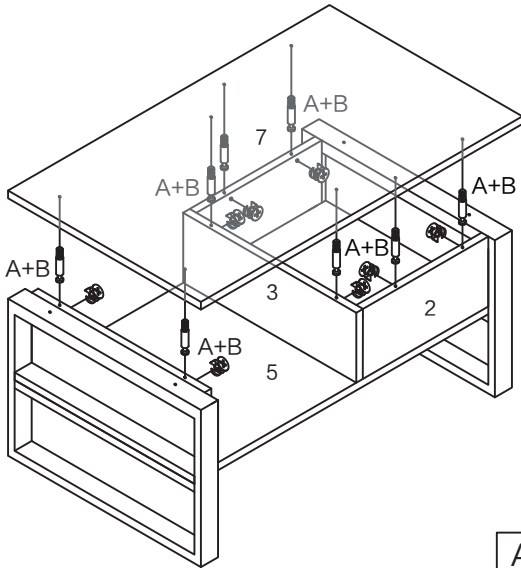
C	x8
---	----

Step 3



D x4

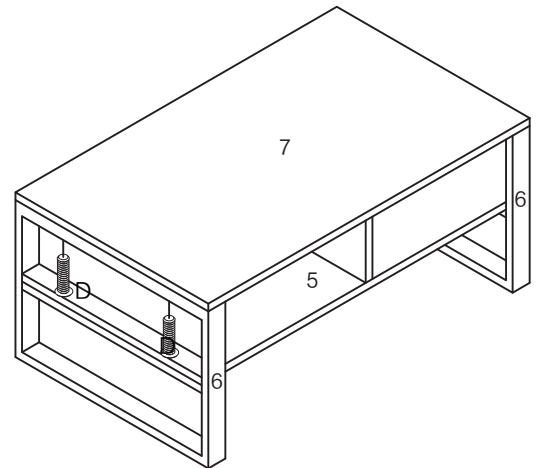
Step 4



A x8

B x8

Step 5



D x4

Complete

