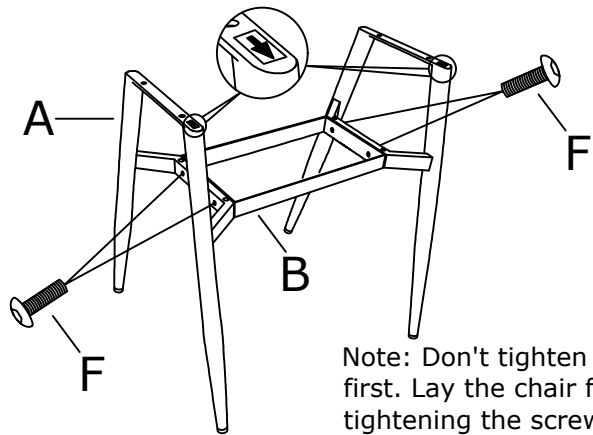


ASSEMBLY INSTRUCTIONS

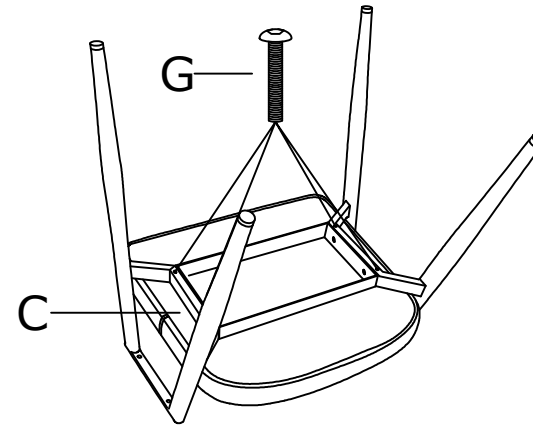
350-000030

1

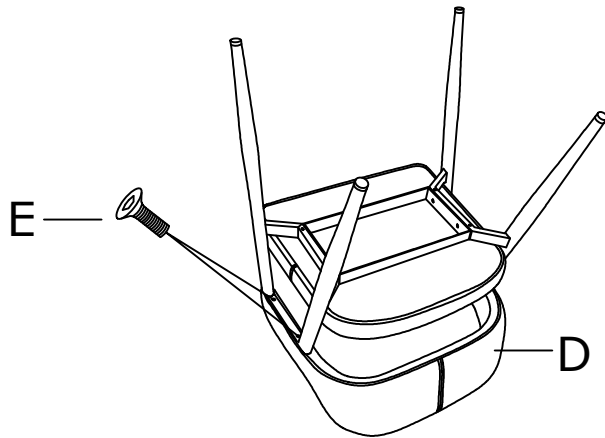


Note: Don't tighten the screws first. Lay the chair flat before tightening the screws.

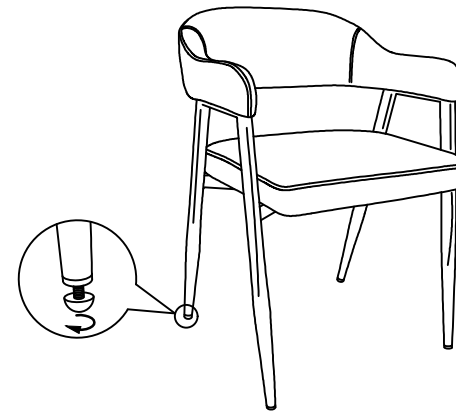
2



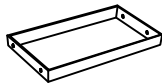
3



4



Ax1



Bx1



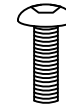
Cx1



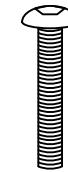
Dx1



Ex4



Fx4



Gx4



Hx1