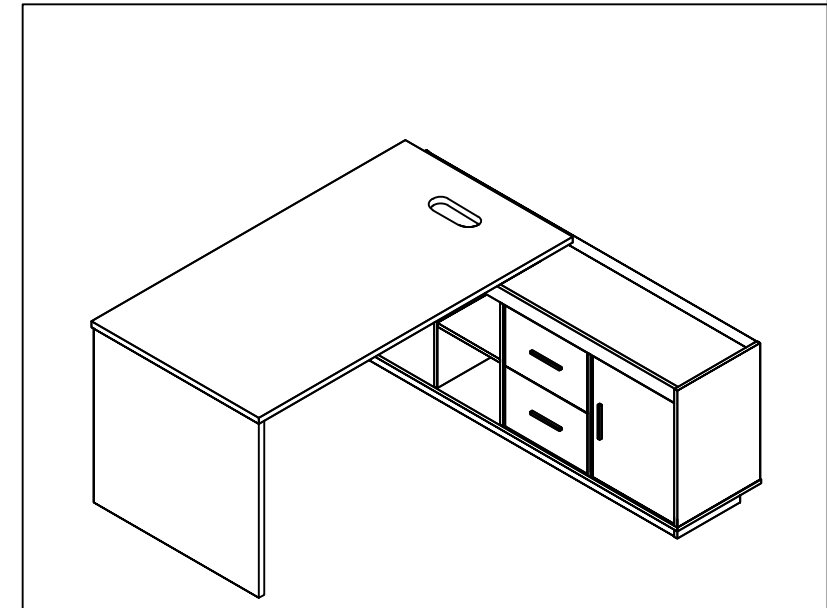
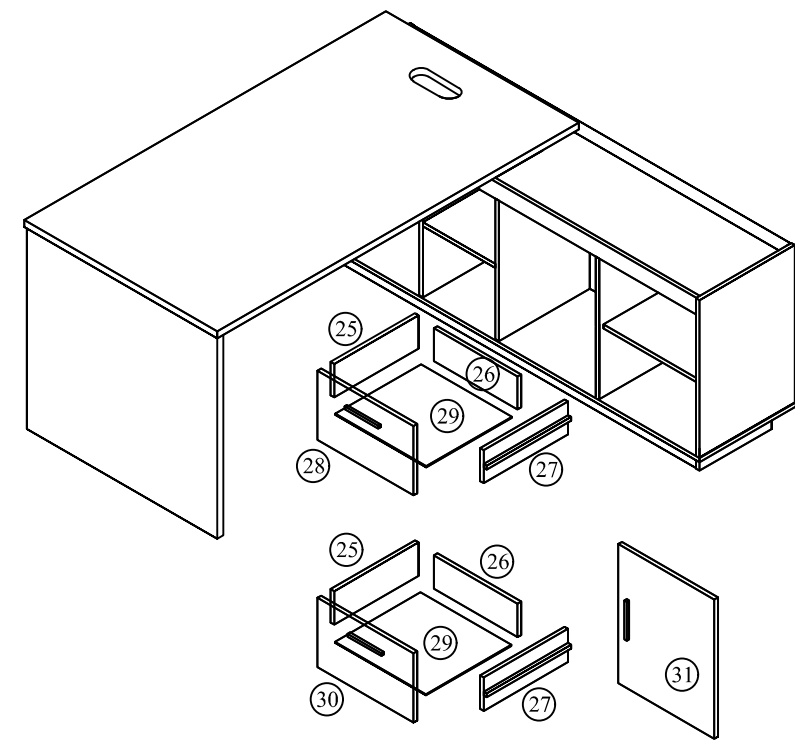
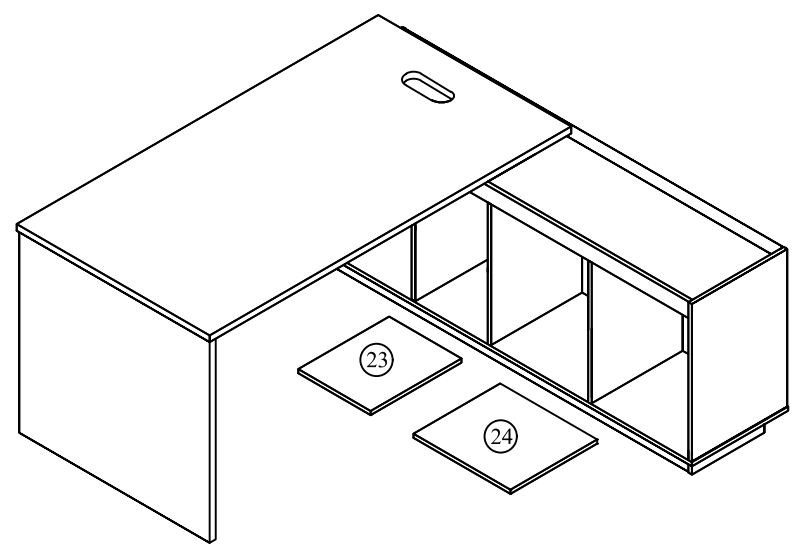
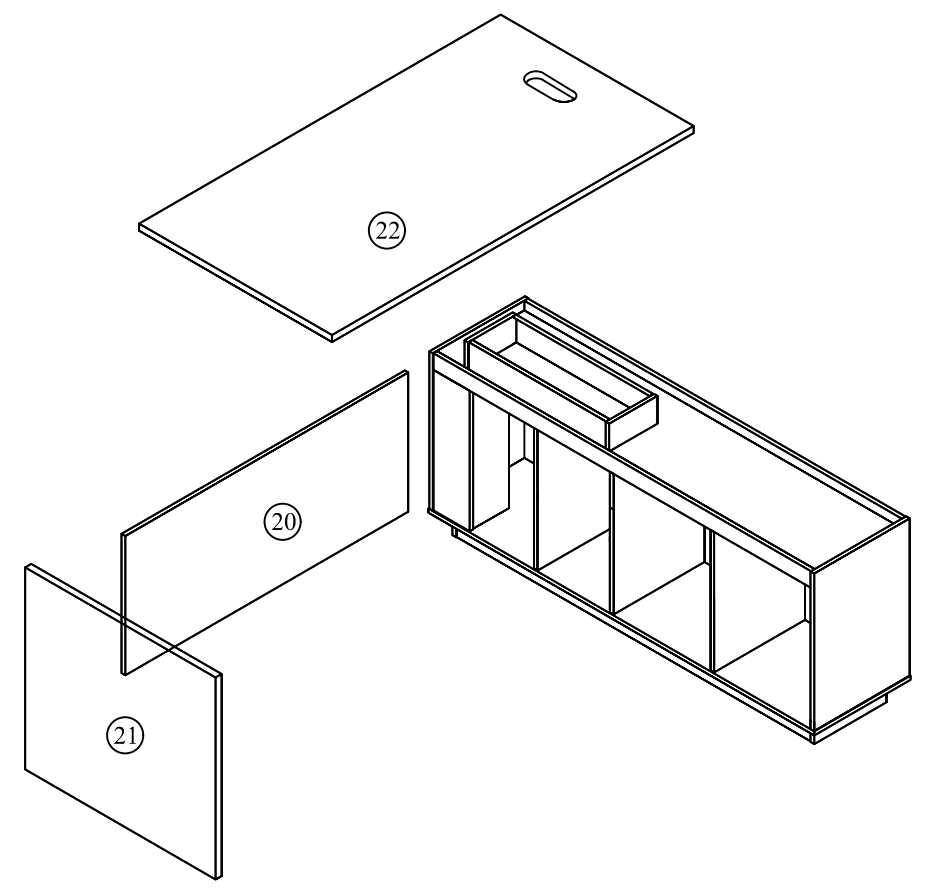
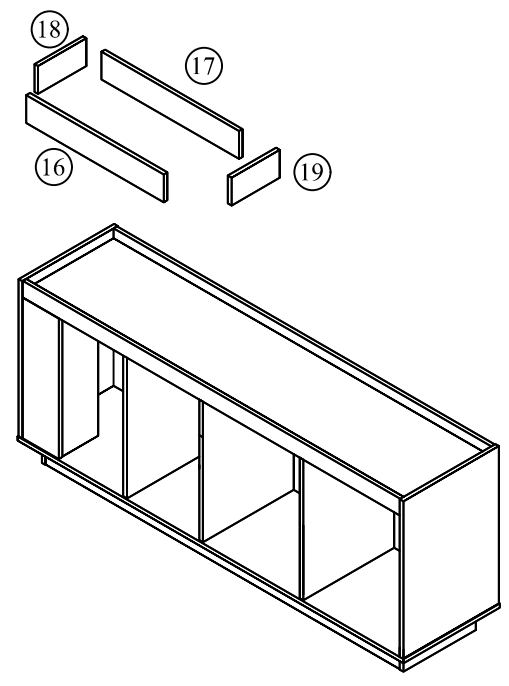
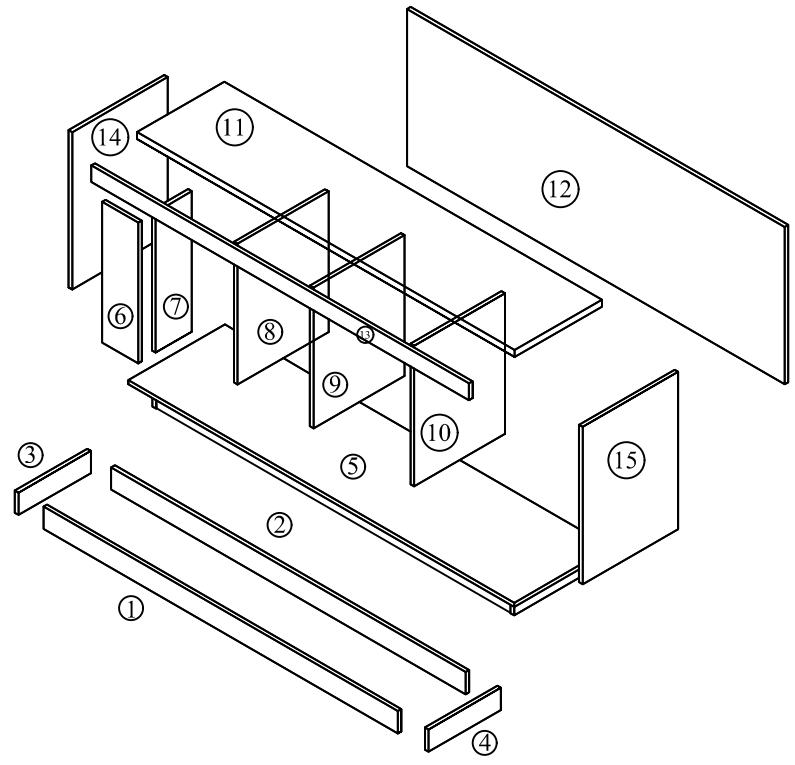
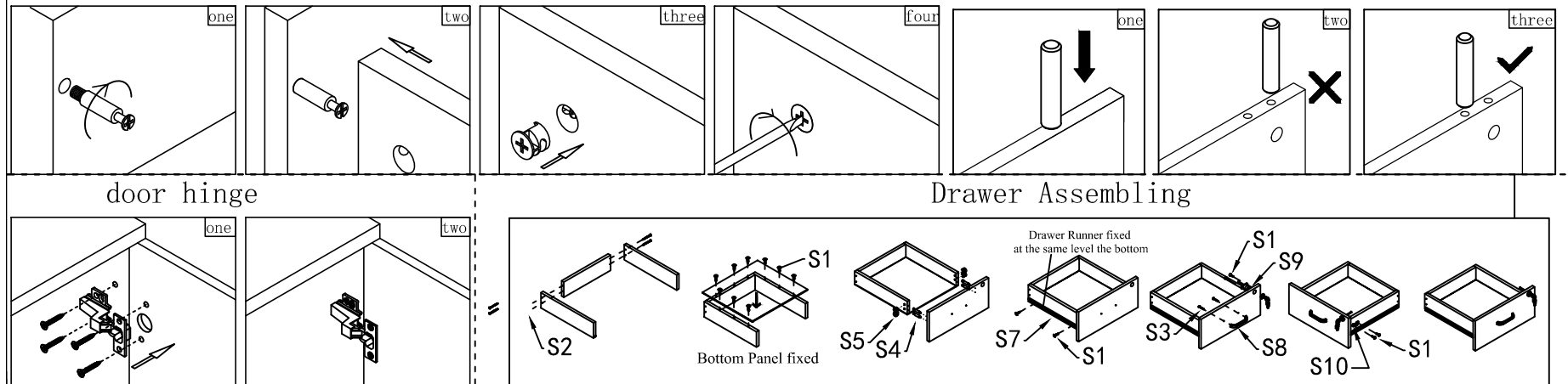


367-000002

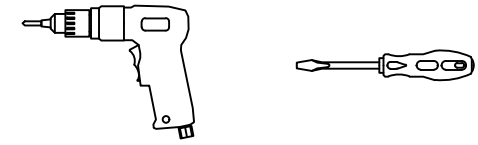


INSTALL DRAWING

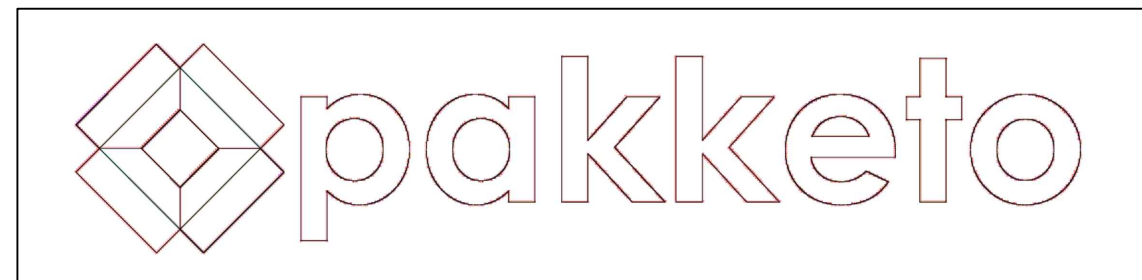
three in one sketch



Installation tool



Installs the hardware



| No. | S1 | S2 | S3 | S4 | S5 | S6 | S7 | S8 | S9 | S10 | S11 | S12 | S13 | S14 | S15 |
|-------------|----|----|----|----|----|----|----|----|----|-----|-----|-----|-----|-----|-----|
| Accessories | | | | | | | | | | | | | | | |
| Number | 98 | 98 | 1 | 2 | 2 | 1 | 4 | 1 | 2 | 10 | 54 | 8 | 6 | 1 | 4 |