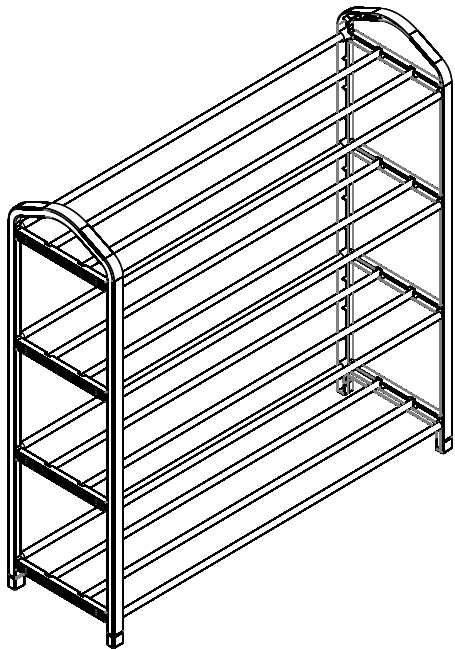
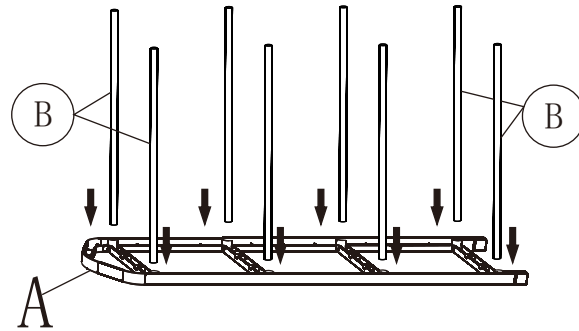


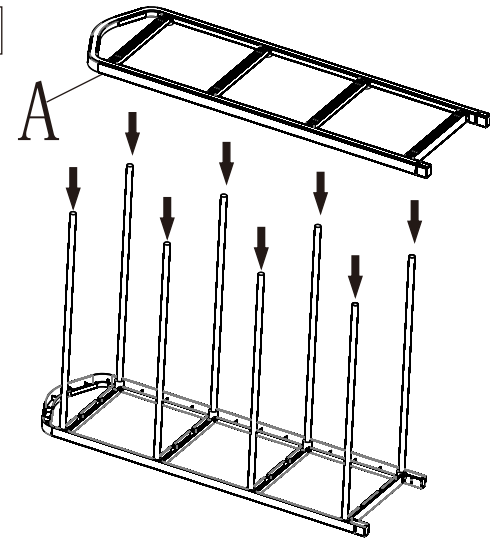
NO.	Qty	Length mm	Sketch
A	2		
B	16	615	



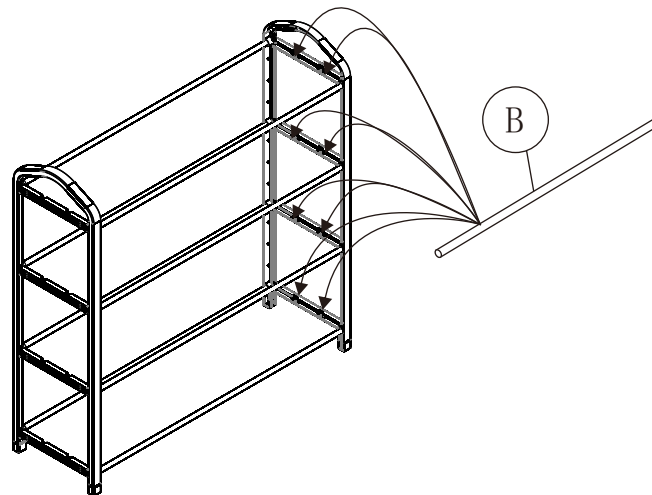
1  
Ax1  
Bx8



2  
Ax1



3  
Bx8



4

